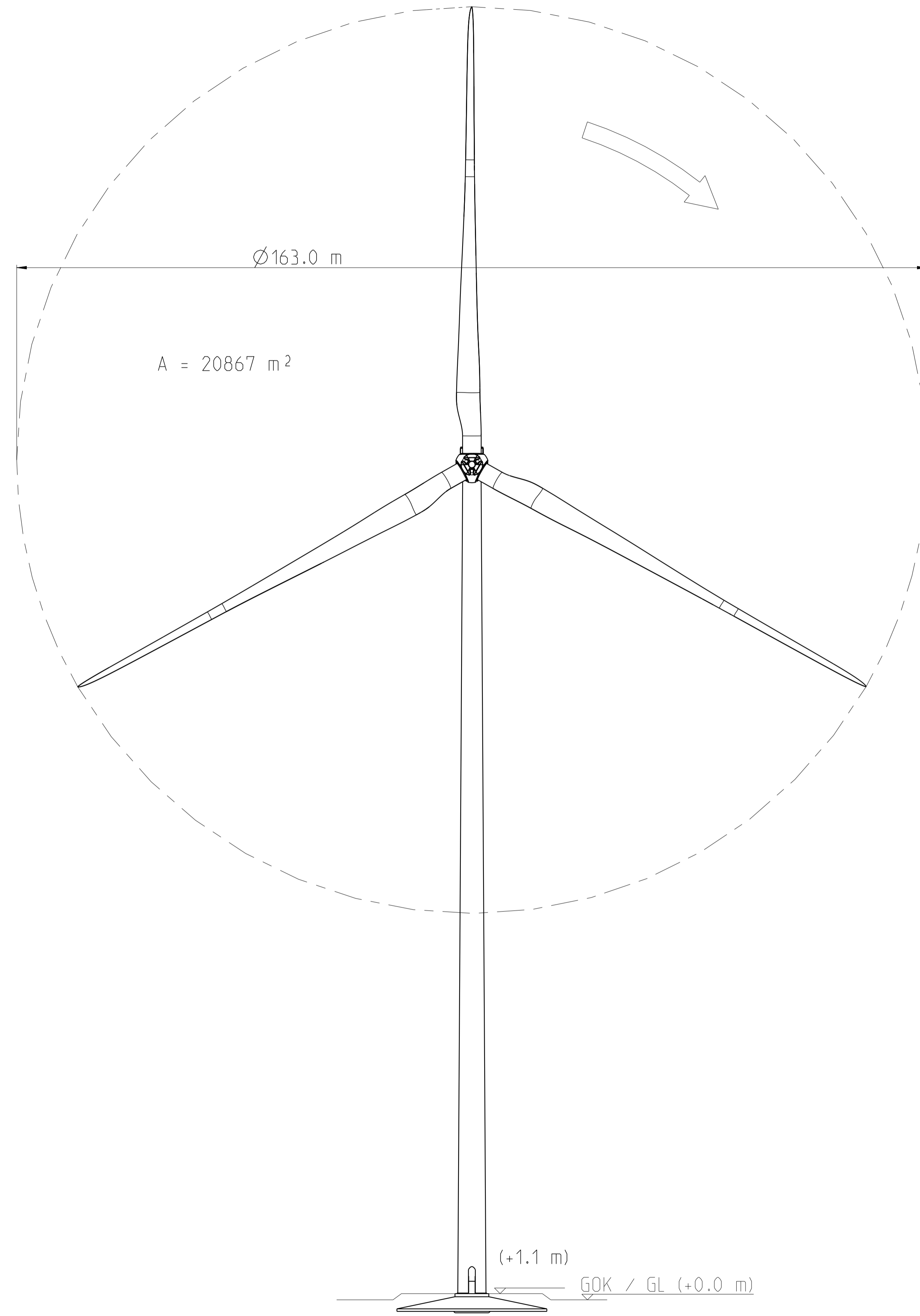
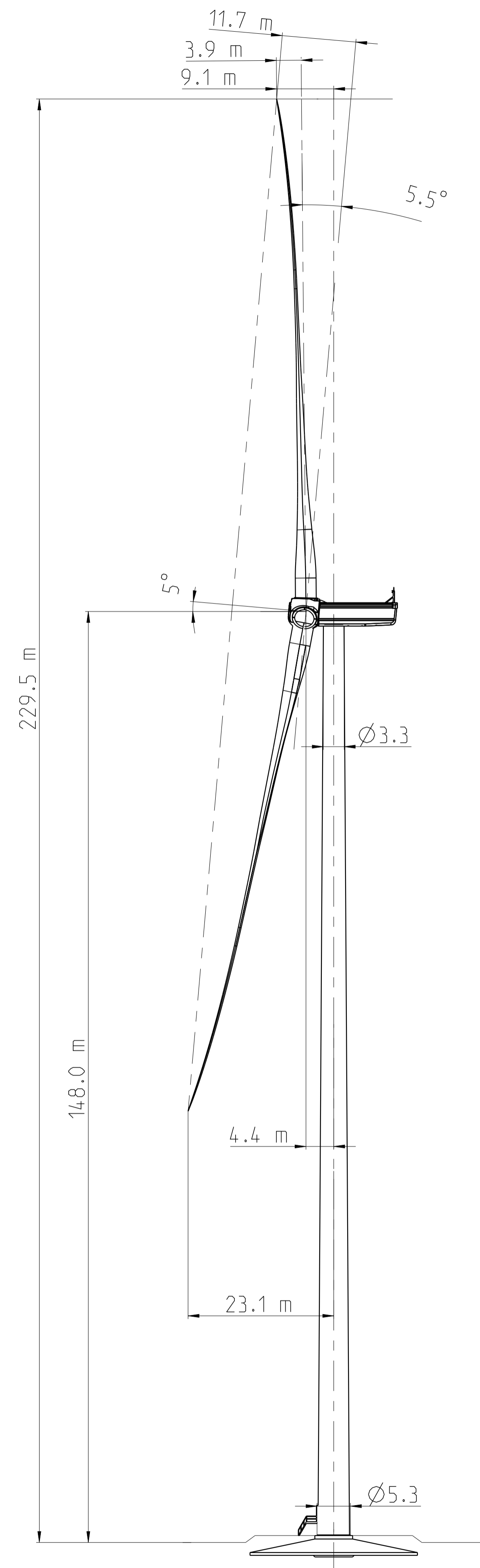


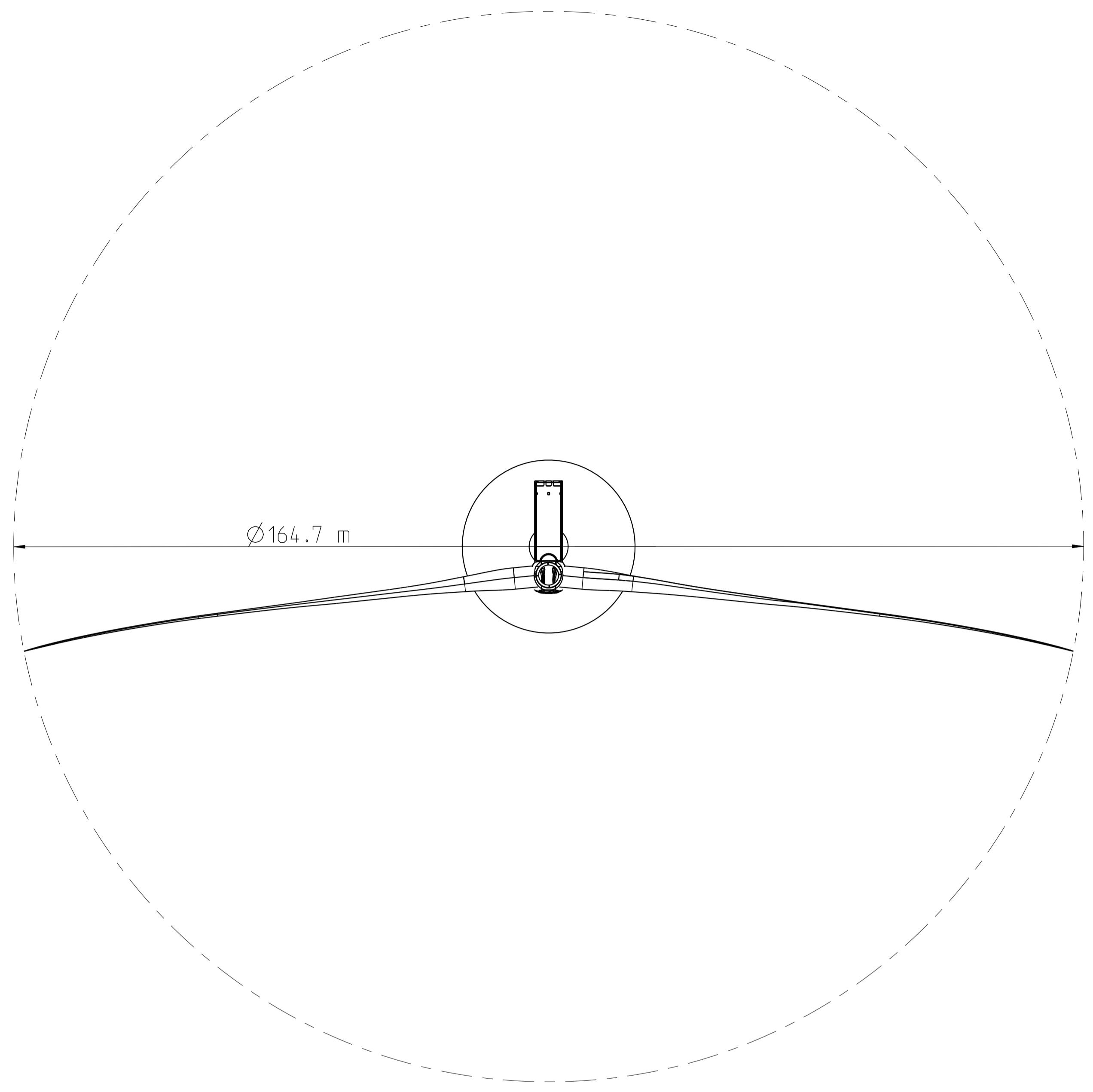
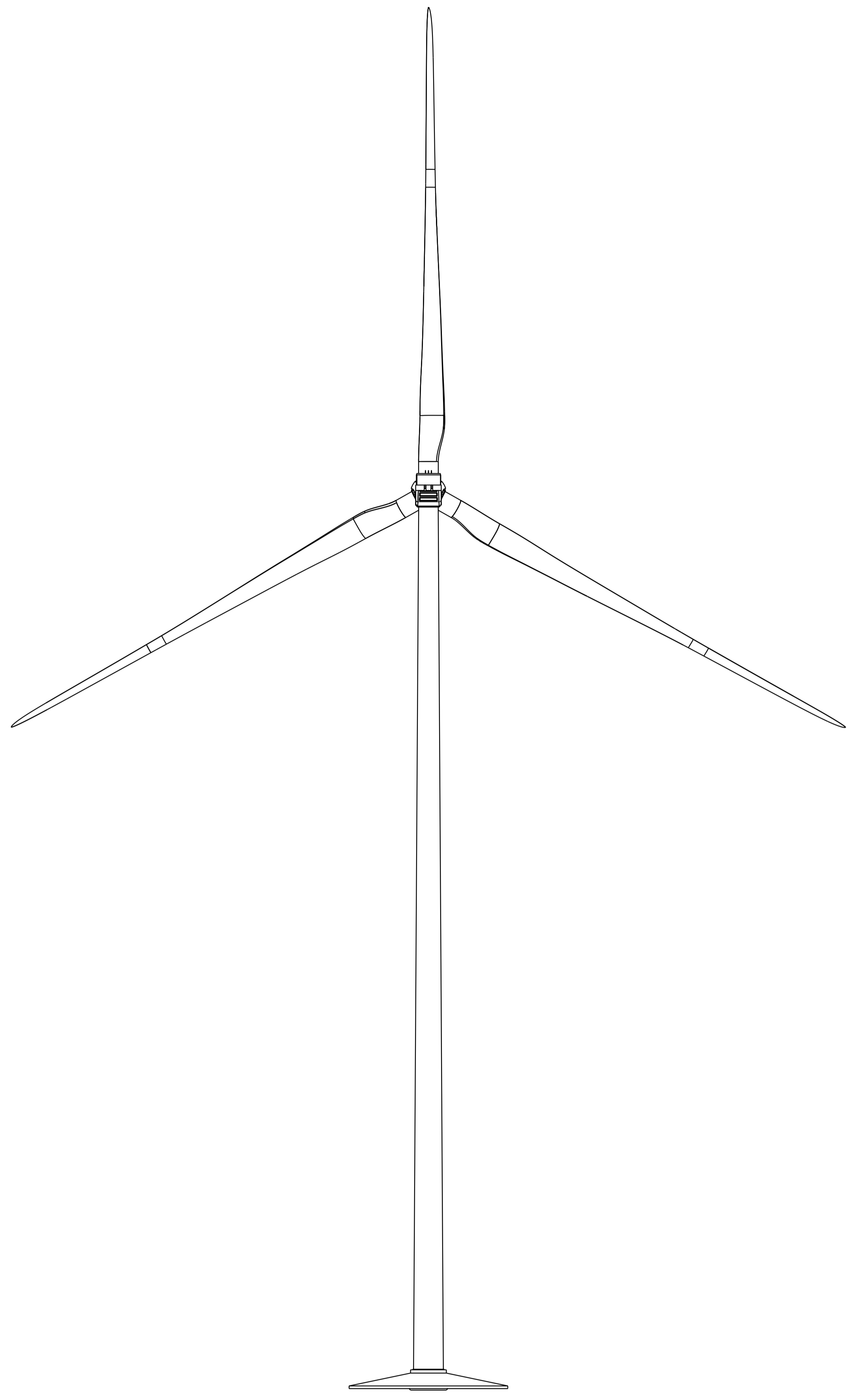
Disclaimer

This document was produced by Nordex Energy GmbH and/or affiliated companies within the meaning of sections 15 et seq. of the AktG. This document, including any presentation of its contents in whole or parts, is the intellectual property of the Nordex Energy GmbH and/or affiliated companies within the meaning of sections 15 et seq. of the German Stock Corporation Act (AktG). The information contained in this document must be treated as confidential and must not, neither in whole nor in parts, be disclosed to third parties without the express consent of Nordex Energy GmbH.



Allgemeintoleranzen/general tolerances	Dokumentenart/type of document	Maßstab/scale	Gewicht/weight	
-	TL01 - Übersichtszeichnung	1:500	ERP-Nr./no.	
Schweißnähten/welding tolerances	erstellt/created	2022-05-20	Werkstoff/material	
-	D. Asmuthen			
Gußlöcher/casting tolerances	gepr. für/checked	2022-06-01	Benennung/note	
-	Richter Kay		Nordex WEA	
Werkstückkanten/edges of workpiece	freigegeben/released	2022-06-20	Delta4000 N163/6.X TS148-01	
-	Schiebler Frank		Nordex WT	
			Delta4000 N163/6.X TS148-01	
Nordex Energy GmbH	Zeichnungsnummer/drawing number		Revision	
Langenhorner Chaussee 600	00163-E0005657414		0	
22419 Hamburg	Zeichnungsstatus/drawing status		Format	Blatt/Sheet
Germany	Released		A1	1/2

This document is the property of Nordex Energy GmbH. It is to be used only for the purposes for which it was created. Any other use, reproduction, distribution or disclosure of this document is prohibited.



Disclaimer

This document was produced by Nordex Energy GmbH and/or affiliated companies within the meaning of sections 15 et seq. of the AktG. This document, including any presentation of its contents in whole or parts, is the intellectual property of the Nordex Energy GmbH and/or affiliated companies within the meaning of sections 15 et seq. of the German Stock Corporation Act (AktG). The information contained in this document must be treated as confidential and must not, neither in whole nor in parts, be disclosed to third parties without the express consent of Nordex Energy GmbH.

Allgemeintoleranzen/general tolerances	Dokumentenart/type of document	Maßstab/scale		Gewicht/weight
=	TL01 - Übersichtszeichnung	1:500		
Schweißnähten/welding tolerances	erstellt/created	2022-05-20	Werkstoff/material	ERP-Nr./no.
=	D. Asmuthen			
Gußtoleranzen/casting tolerances	gepr. für/checked	2022-06-01	Benennung/title	
=	Richter Kay		Nordex WEA	
Werkstückkanten/edges of workpiece	freigegeben/released	2022-06-20	Delta4000 N163/6.X TS148-01	
=	Schiebler Frank		Nordex WT	
			Delta4000 N163/6.X TS148-01	
Nordex Energy GmbH Langenhorner Chaussee 600 22419 Hamburg Germany			Zeichnungsnummer/drawing number	Revision
			00163-E0005657414	0
			Zeichnungsstatus/drawing status	Blatt/Sheet
			Released	2/2
			Format	
			A1	