

1	2	3	4	5	6	7	8
---	---	---	---	---	---	---	---

A

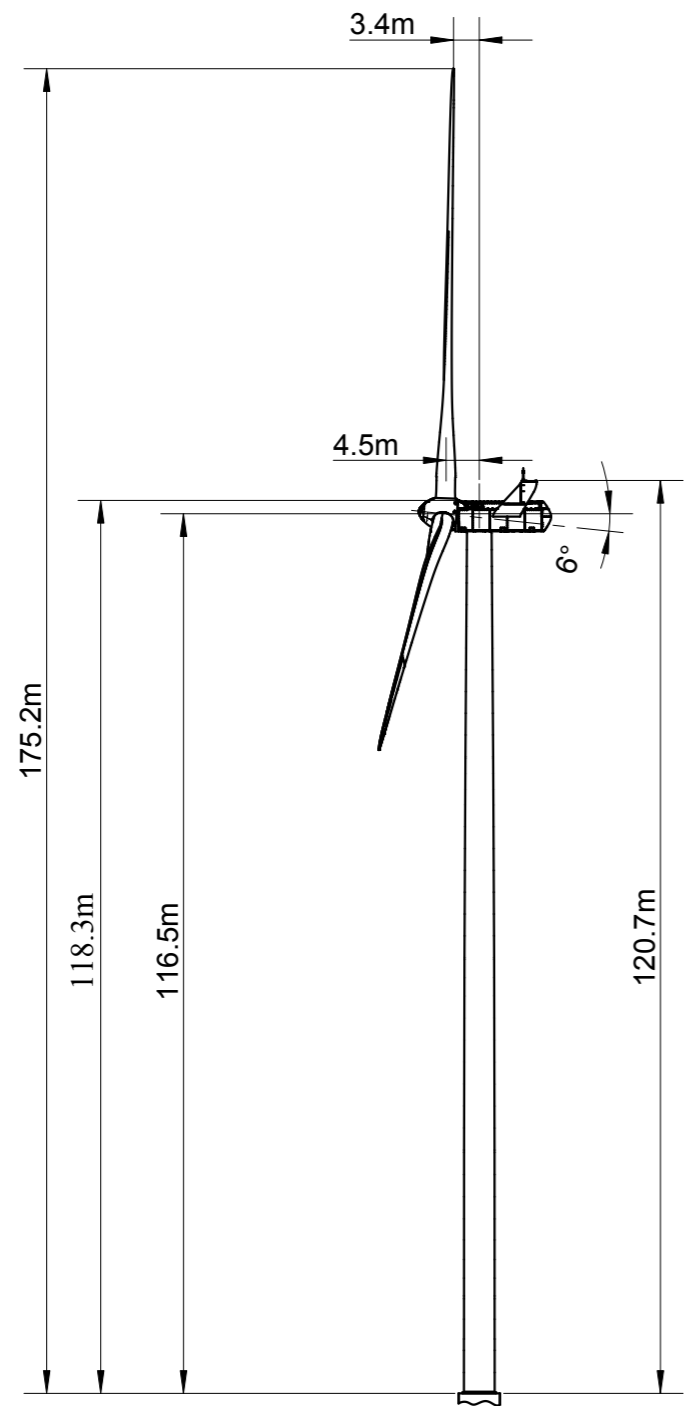
B

C

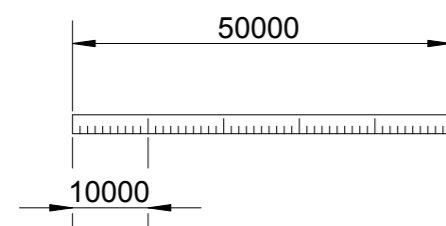
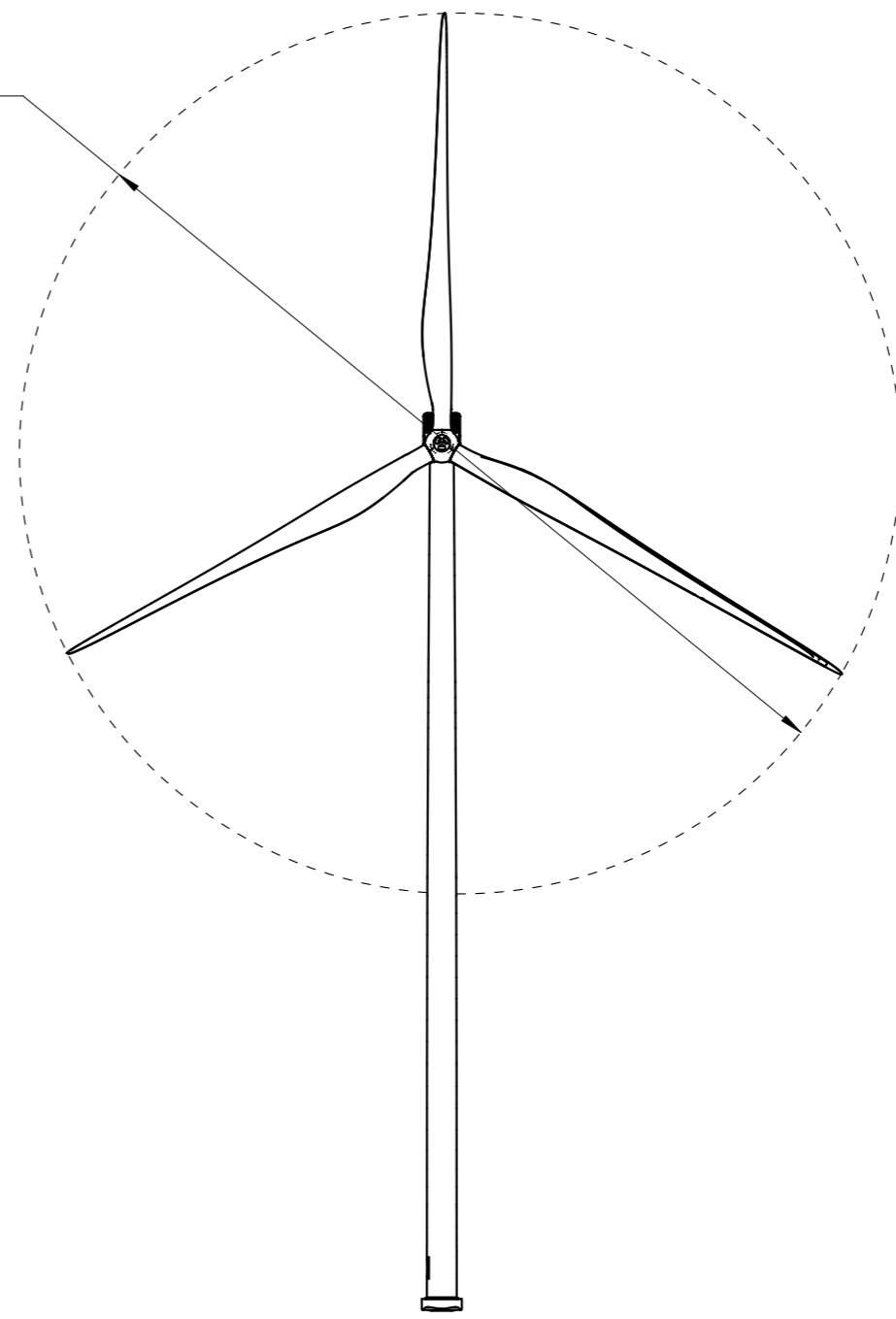
D



E

F



Ø 117m



Item no. V117 HH 116_5	Mass (kg) 0	Certificate -	Format A3	Status	Revised by -	Created date -	Created by VAGAA
Material / Specification -			Scale 1:1000	Change no.	PDM ver. 0.0	Reviewed date -	Reviewed by -
 vestas.com			Proj. 	Item description V117 Hub Height 116.5m			
			Pro/E	Metric Dimensions shown in mm unless otherwise specified	Replaces -	Drawing no. V117_HH116_5	Ver. 0

WARNING: PROPRIETARY AND CONFIDENTIAL INFORMATION.  
 This document and the Information set forth herein are confidential and proprietary to Vestas Wind Systems A/S. It contains trade secrets, and independent economic value, actual or potential, may be derived from the document/Information not being generally known. In consideration of you receiving this document you agree (I) to keep the Information secret (II) only to use the Information for the purpose specifically agreed with Vestas (III) not to disclose directly or indirectly any part of the Information to any third party and (IV) not to make copies or reproductions thereof by whatsoever means or undertake any qualitative or quantitative analysis, reverse engineering or replication.