

# N05-A Wabo-Vergunningsaanvraag

## Bijlage 2 Plotplan & Zijaanzichten

---

december '21

---

ONE-Dyas B.V.

Parnassusweg 815  
1082 LZ Amsterdam  
The Netherlands



Date: 23 december 2021

Report No.: N05A-1-82-0-15500-02

Issue No.: 2.0

---

## Table of Contents

---

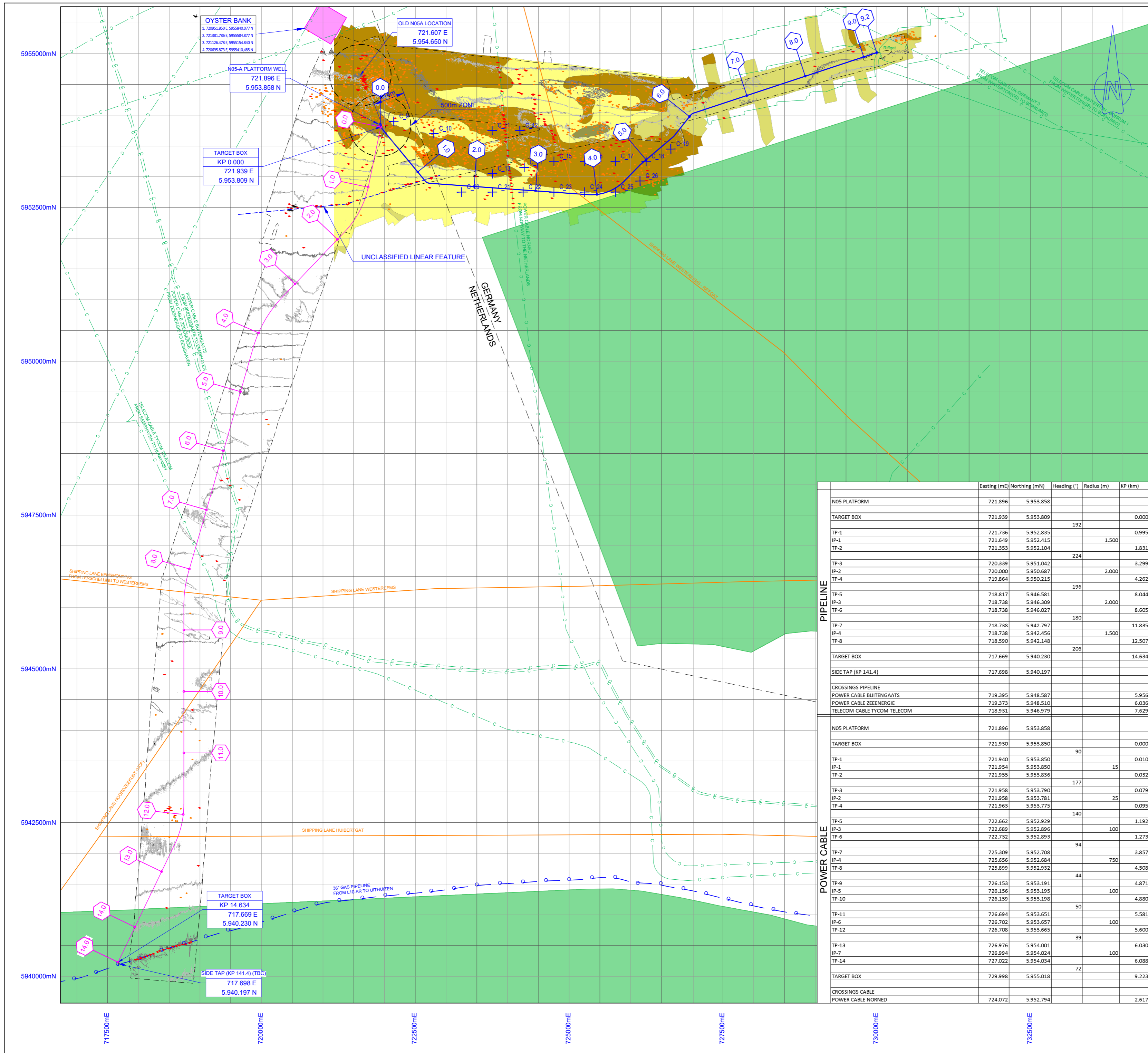
### Table of Contents

- 1 Overall Field Layout
- 2 Platform Plotplans
- 3 Proces Flow Diagrams

# 1 Overall Field Layout

---

Pipeline Route - Overall Field Layout aangepast



**REFERENCES**

- N05A-7-50-0-72050-01/06 Pipeline alignment sheet - Alternative platform location - Buried option - sheet 01-06
- N05A-7-50-0-72051-01 Alternative platform location - Approach drawing @ N05A
- N05A-7-50-0-75052-01 Alternative platform location - Approach drawing @ NGT
- GEOnyx LU0022H-553\_A1\_1905\_UTM31-ED50\_LAT\_MB\_#0.5
- LU0022H-553\_A2\_1905\_UTM31-ED50\_LAT\_MB\_#0.5 + EXTRA POLYGON
- LU0022H-553\_A3\_1905\_UTM31-ED50\_LAT\_MB\_#0.5 + EXTRA POLYGON
- LU0022H-553\_A4\_1905\_UTM31-ED50\_LAT\_MB\_#0.5
- LU0022H-553\_A5\_1905\_UTM31-ED50\_LAT\_MB\_#0.5
- N05A-7-50-0-72039-01-02 Seabed Features - N05a - Riffgat OWF

**LEGEND**

- GENERAL**
- 1.0 KILOMETER MARKER
  - PIPELINE: N05A - NGT
  - CABLE: N05A - RIFFGAT
  - BOUNDARY OF SURVEY AREA
  - EXISTING PIPELINE
  - EXISTING CABLE
  - SHIPPING LANE RIJKSWATERSTAAT
  - ROCKDUMP
  - NATURA2000
  - OYSTERBANK
- BATHYMETRY AND SEABED FEATURES**
- 0.5 CONTOUR LINE AT 1m INTERVAL
  - LWdH SONAR CONTACT
  - LWdH DEPRESSION
  - LWdH MOUND
  - AS-FOUND WELLHEAD
  - CP105 CONE PENETRATION TEST
  - VC05 VIBRE CORE
  - 65mT MAGNETIC ANOMALY
  - WRECK
- SEABED FEATURES**
- Infralittoral fine sand (A5.23)
  - Infralittoral coarse sediment (A5.13)
  - Infralittoral coarse sediment (A5.13) with scattered areas of Infralittoral mixed sediment (A5.43)
  - Infralittoral mixed sediment (A5.43)

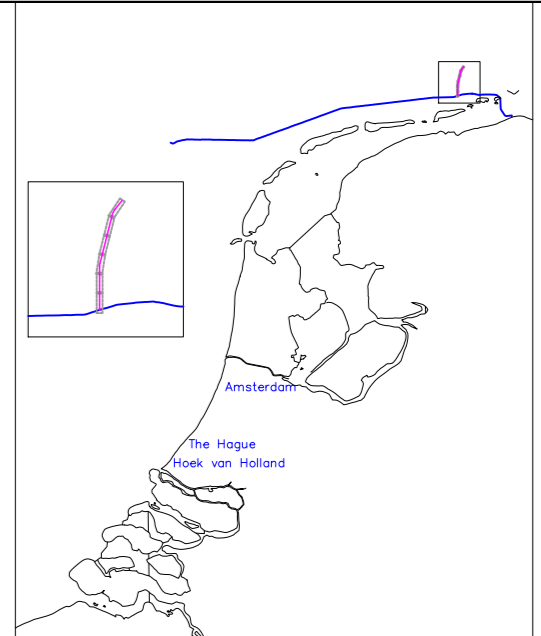
**GEODETTIC PARAMETERS**

PROJECTED CRS: ED50/UTM zone 31N (EPSG: 23031)

Horizontal Datum Name: European Datum 1950 North Sea -UKCS  
 Projection Name: Universal Transverse Mercator

Ellipsoid: International 1924 (Hayford 1909)  
 Zone: North 31  
 Central meridian: 3° East  
 Semi major axis: a = 6 378 388.000  
 Latitude of origin: Equator  
 Semi minor axis: b = 6 356 911.946  
 False Easting: 500 000.00 m  
 Inverse ELatening: 1/f = 297.000  
 False Northing: 0.00 m  
 Eccentricity squared: e = 0.006 722 670  
 Scale factor on C.M.: 0.999 6

WGS84 to ED50 TRANSFORMATION: UKOAA (EPSG: 1311)



	Eastings (mE)	Northing (mN)	Heading (°)	Radius (m)	KP (km)
N05 PLATFORM	721.896	5.953.858			
TARGET BOX	721.939	5.953.809			0.000
TP-1	721.736	5.952.835	192		0.995
IP-1	721.649	5.952.415		1.500	1.831
TP-2	721.353	5.952.104		224	
TP-3	720.339	5.951.042			3.299
IP-2	720.000	5.950.687		2.000	
TP-4	719.864	5.950.215			4.262
TP-5	718.817	5.946.581	196		8.044
IP-3	718.738	5.946.309		2.000	
TP-6	718.738	5.946.027			8.605
TP-7	718.738	5.942.797	180		11.835
IP-4	718.738	5.942.456		1.500	
TP-8	718.590	5.942.148			12.507
TARGET BOX	717.669	5.940.230	206		14.634
SIDE TAP (KP 141.4)	717.698	5.940.197			
CROSSINGS PIPELINE					
POWER CABLE BUITENGAATS	719.395	5.948.587			5.956
POWER CABLE ZEEENERGIE	719.373	5.948.510			6.036
TELECOM CABLE TYCOM TELECOM	718.931	5.946.979			7.629
N05 PLATFORM	721.896	5.953.858			
TARGET BOX	721.930	5.953.850	90		0.000
TP-1	721.940	5.953.850			0.010
IP-1	721.954	5.953.850		15	
TP-2	721.955	5.953.836	177		0.032
TP-3	721.958	5.953.790			0.079
IP-2	721.958	5.953.781		25	
TP-4	721.963	5.953.775			0.095
TP-5	722.662	5.952.929	140		1.192
IP-3	722.689	5.952.896		100	
TP-6	722.732	5.952.893			1.273
TP-7	725.309	5.952.708	94		3.857
IP-4	725.656	5.952.684		750	
TP-8	725.899	5.952.932	44		4.508
TP-9	726.153	5.953.191			4.871
IP-5	726.156	5.953.195		100	
TP-10	726.159	5.953.198			4.880
TP-11	726.694	5.953.651	50		5.581
IP-6	726.702	5.953.657		100	
TP-12	726.708	5.953.665			5.600
TP-13	726.976	5.954.001	39		6.030
IP-7	726.994	5.954.024		100	
TP-14	727.022	5.954.034			6.088
TARGET BOX	729.998	5.955.018	72		9.223
CROSSINGS CABLE					
POWER CABLE NORND	724.072	5.952.794			2.617

**KEYPLAN**

Rev	Date	Description	Drawn	Eng.	Check	Appr.	Client
07	21-12-2021	NATURA 2000 ADDED	SvdV	-	-	-	DK
06	15-12-2021	KP NUMBERS ADDED + COORDINATES	SvdV	-	-	-	DK
05	14-12-2021	PIPELINE AND CABLE REROUTED	SvdV	-	-	-	DK
04	22-09-2021	CPT AND VC ADDED/PLT RELOC.	SvdV	-	-	-	DK
03	15-09-2021	PLATFORM LOCATION D ADDED	SvdV	-	-	-	DK

**enersea**  
 Jan Evertsenweg 12  
 3115 JA Schiedam  
 The Netherlands  
 +31(0) 103132100  
 info@enersea.nl

**Client**  
**ONEDyas B.V.**

**Project**  
**N05-A TO NGT PIPELINE**

**Document**  
**Pipeline Route - Overall Field Layout**  
**Alternative platform location**

Scale: 1:30000  
 Size: A1

Project number: 19018  
 Document Number: N05A-7-51-0-72510-02

## 2 Platform Plotplans

---

Niet aangepast, daarom niet bijgevoegd

Plot Plan General Arrangement Layout Drawings

Plot Plan Side View Looking South

Plot Plan Side View Looking West

Plot Plan Top View Main Deck and Heli Deck

Plot Plan Heli Deck T.O.B. EL.+37300

Plot Plan Main Deck T.O.B. EL.+29800

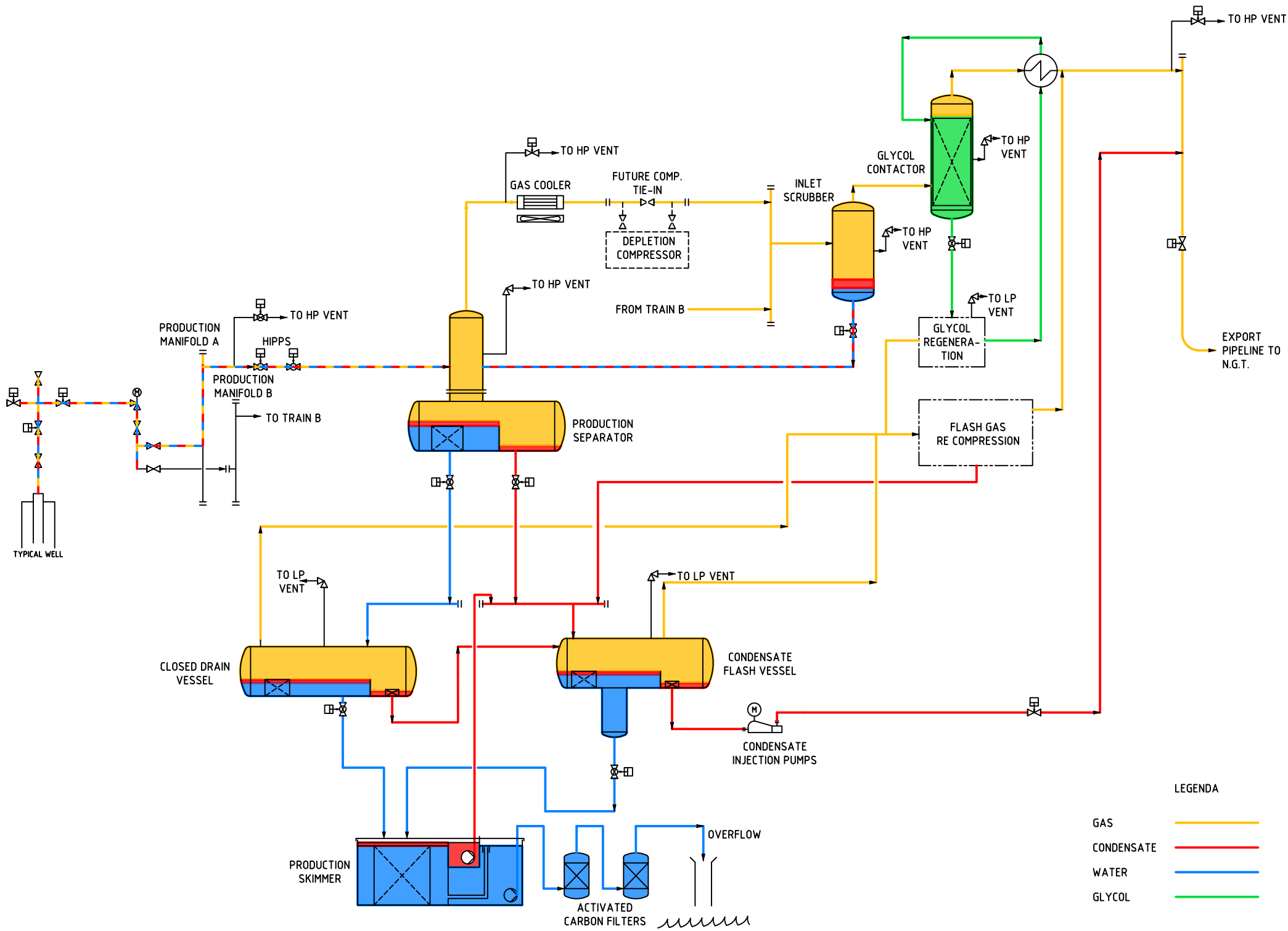
Plot Plan Mezzanine Deck T.O.B. EL.+25800

Plot Plan Cellar Deck T.O.B. EL.+21800

## 3 Proces Flow Diagrams

---

Process Flow Diagram - Main Process aangepast



LEGENDA

- GAS —
- CONDENSATE —
- WATER —
- GLYCOL —